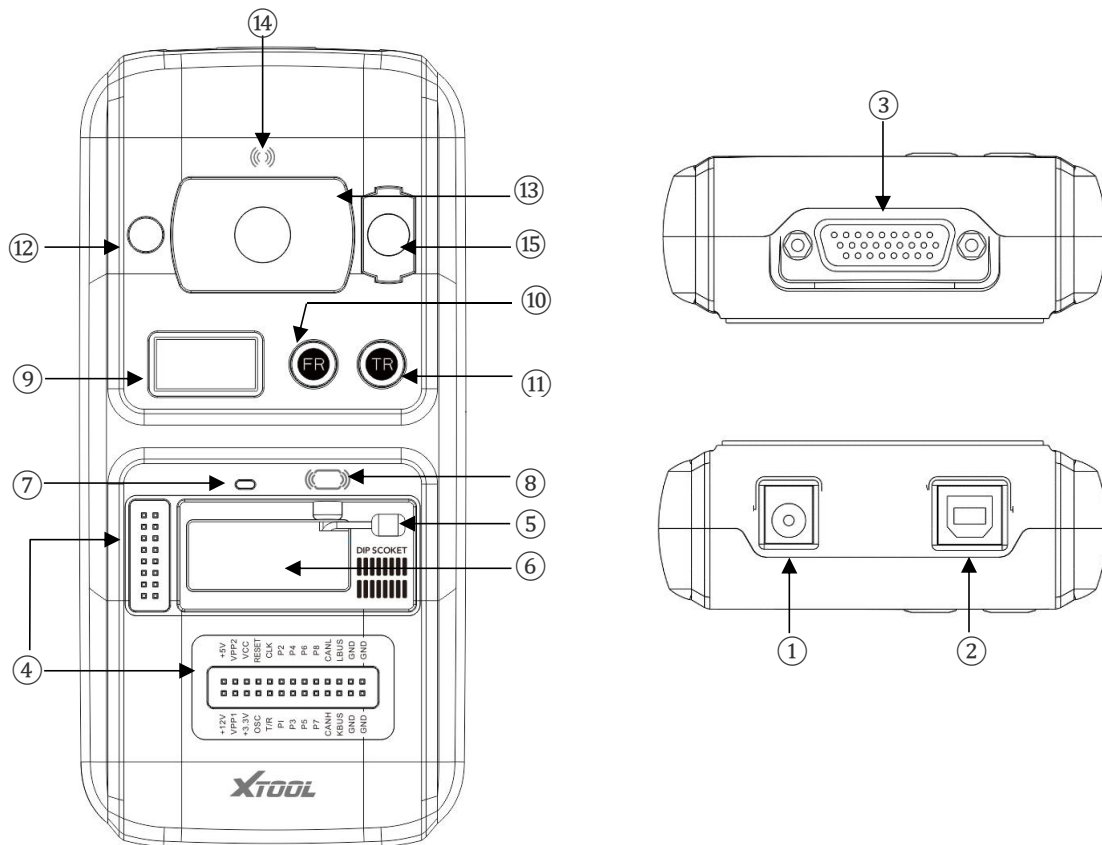


KC501 Key & Chip Programmer

Description

KC501 Key & Chip Programmer is to read and write keys, generate dealer keys; read and write MCU / EEPROM chips; read and write remotes; read and write Mercedes infrared. It needs to work together with our



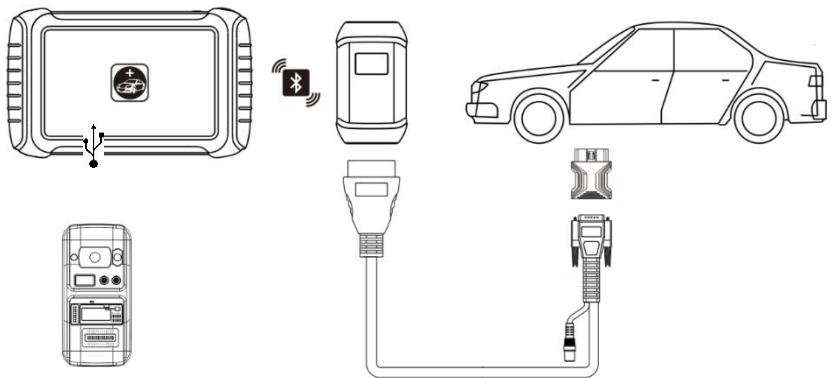
tablet or PC.

1. DC Port: It provides 12V DC power supply.
2. USB Port: It provides data communication and 5V DC power supply. (The Type B USB port provides data communication and power supply for our device, PC and KC501.)
3. DB 26-Pin Port: It connects with the Mercedes Benz infrared cable, ECU cable, MCU cable, MC9S12 cable.
4. Cross Signal Pins: It holds the MCU board, MCU spare cable or DIY signal interface. (The Cross-shaped signal pin is used to place MCU board, MCU spare cable or DIY signal cable to read or write MCU and ECU chips.)
5. Locker: It locks the EEPROM component transponder slot to ensure proper functioning. (It is used to place EEPROM chip or socket to read or write EEPROM data.)
6. EEPROM Component Transponder Slot: It holds the EEPROM plug-in transponder or EEPROM socket.
7. Status LED: It indicates the current operating status.
8. IC Card Induction Area (It is used to read and write IC card data.)
9. Display Screen (It is used to show remote frequency or transponder ID.)
10. Remote Frequency Button (Press this button to show remote frequency in the display screen.)

11. Transponder ID Button (Press this button to show transponder ID in the display screen.)
12. Transponder Slot: It holds the transponder. (It is used to hold the transponder to read or write transponder data.)
13. Vehicle Key Slot: It holds the vehicle key. (It is used to hold the vehicle key to read or write vehicle key data.)
14. Remote Control Transponder Induction Area (It is used to read and write remote control transponder data.)
15. Mercedes Infrared Key Slot: It holds the Mercedes infrared key. (It is used to hold Mercedes infrared key to read or write Mercedes vehicle key data.)

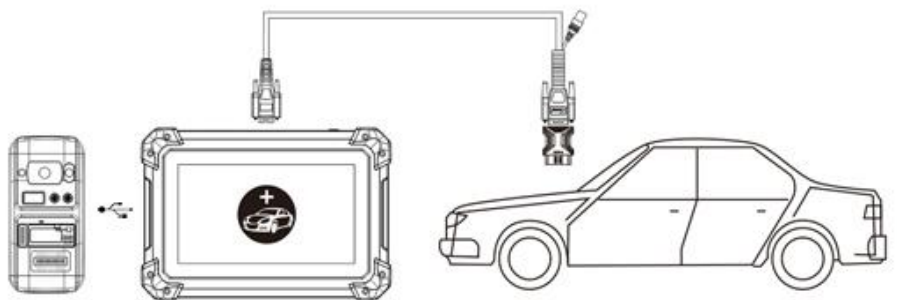
Bluetooth Device Operation Steps

1. Connect VCI and main cable with car's OBD port, which is usually under the dashboard.
2. Turn on our device and pair Bluetooth with VCI.
3. Connect a 12V power adapter to KC501.
4. Connect our device and KC501 with a USB cable. Then enter immobilization menu and follow the instructions on the device.

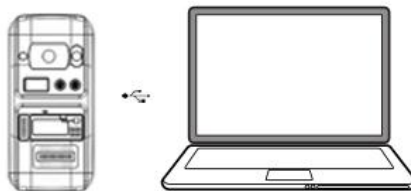


Wire Device Operation Steps

1. Turn on our device.
2. Connect car's OBD port with wire. OBD port is usually under the dashboard.
3. Connect a 12V power adapter to KC501.
4. Connect our device and KC501 with a USB cable. Then enter immobilization menu and follow the instructions on the device.



It also supports PC connection



Shenzhen Xtooltech Co., Ltd

Company address: 17&18/F, A2 Building, Creative City, Liuxian Avenue, Nanshan District, Shenzhen, China
 Factory address: 2/F, Building 12, Tangtuo Third Industrial Zone, Shiyan Street, Baoan District, Shenzhen, China
 Service Hotline: 0086-755-21670995/86267858

Email: marketing@xtooltech.com

Fax: 0755-83461644

Website: www.xtooltech.com